

# SPECIFICATION

Part NO. \_\_\_\_\_

Type GNSS Built-in Active Antenna

## Electrical Characteristics

### Antenna

1	Antenna model	25*25*4mm			
2	Frequency Range	GPS-L1	BDS-B1	GLONASS-G1	
3	Gain@Zenith	@35x35	2.1dBi	1.8dBi	1.0dBi
		@70x70	Max > 4.0 dBi		
4	Return Loss@F <sub>0</sub>	< -3dB			
5	Impedance	50Ω			
6	Polarization	RHCP			

### LNA

FLFL

1	Frequency Range	1558MHz-1610MHz		
2	DC Voltage	1.6V(MIN)	3.3V(TYP)	10V(MAX)
3	DC current		9mA±2mA	
4	Noise Figure	< 1.2		
5	LNA Gain(No Cable)	35dB±2dB@25℃		
6	Impedance	50Ω		
7	VSWR	< 2.0		

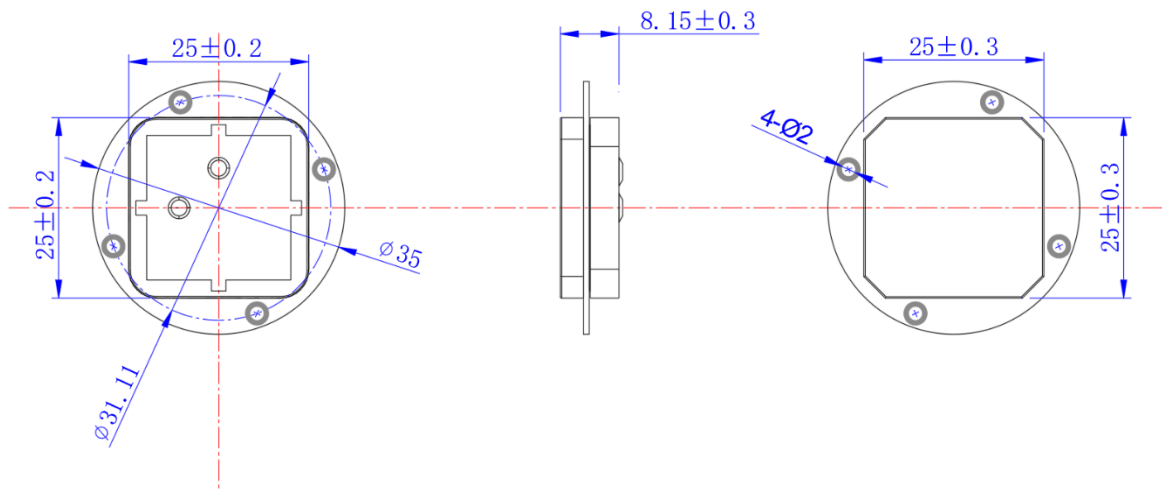
## Material

No	Part Name	Spec
1	Antenna	Dielectric Ceramics
2	Ground	0.8mm,FR-4
3	Shield Cover	0.2mm, Tinplate
4	Cable	---
5	Connector	---

## Environment Condition

1	Operation Temperature	-40℃ ~ +85℃, 10% ~ 95% RH
2	Storage Temperature	-45℃ ~ +85℃, 10% ~ 95% RH
3	Relative Humidity	Non-condensing 65℃ 95%RH

## Dimensions



## Antenna Radiation Patterns

